

SAILOR 6300 MF/HF Transceiver Unit & Antenna Tuning Unit 150/250/500W

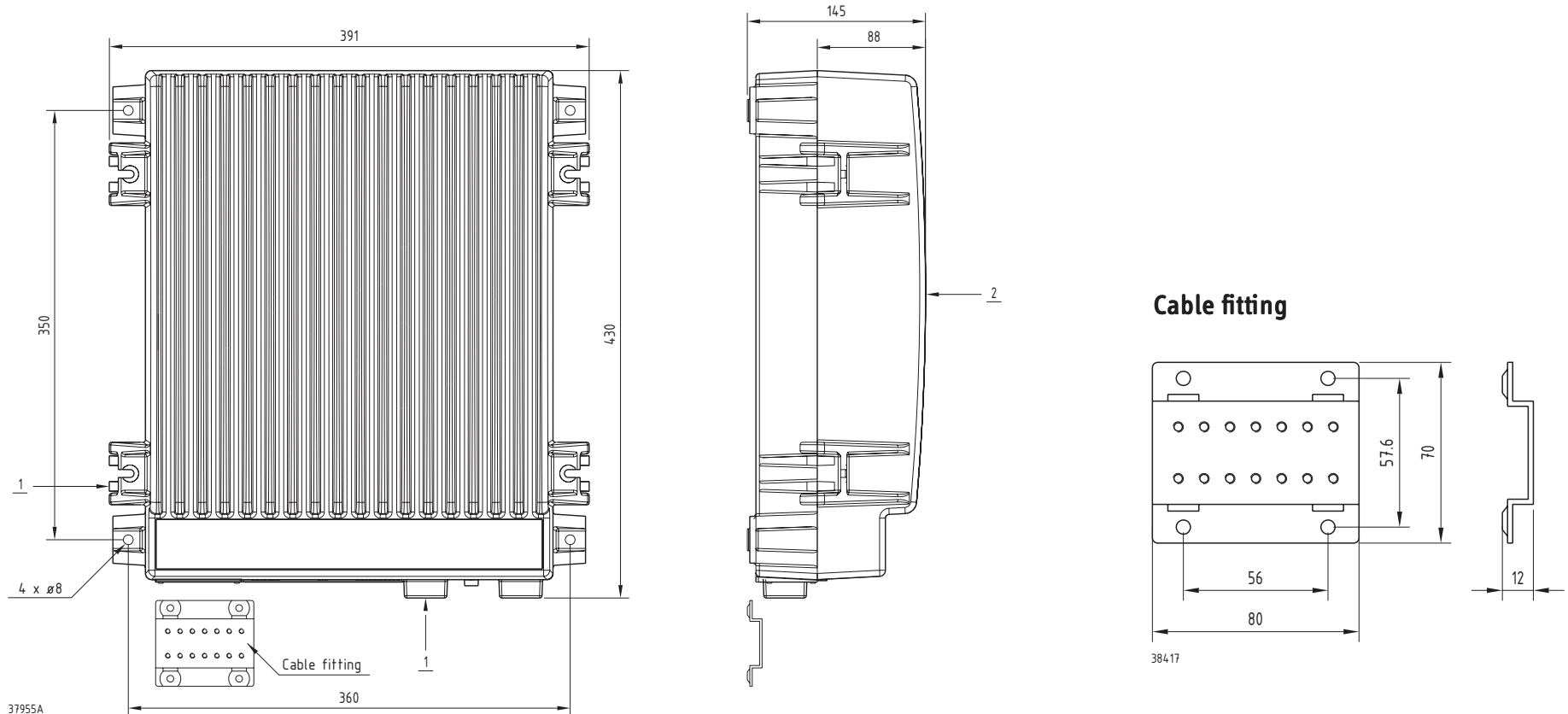
Disclaimer

Any responsibility or liability for loss or damage in connection with the use of these products and the accompanying documentation is disclaimed by Thrane & Thrane. The information in this installation guide is provided for information purposes only, is subject to change without notice and may contain errors or inaccuracies.

Installation guides issued by Thrane & Thrane are periodically revised and updated. Anyone relying on this information should acquire the most current version e.g. from the Thrane & Thrane Extranet at <http://extranet.thrane.com>.

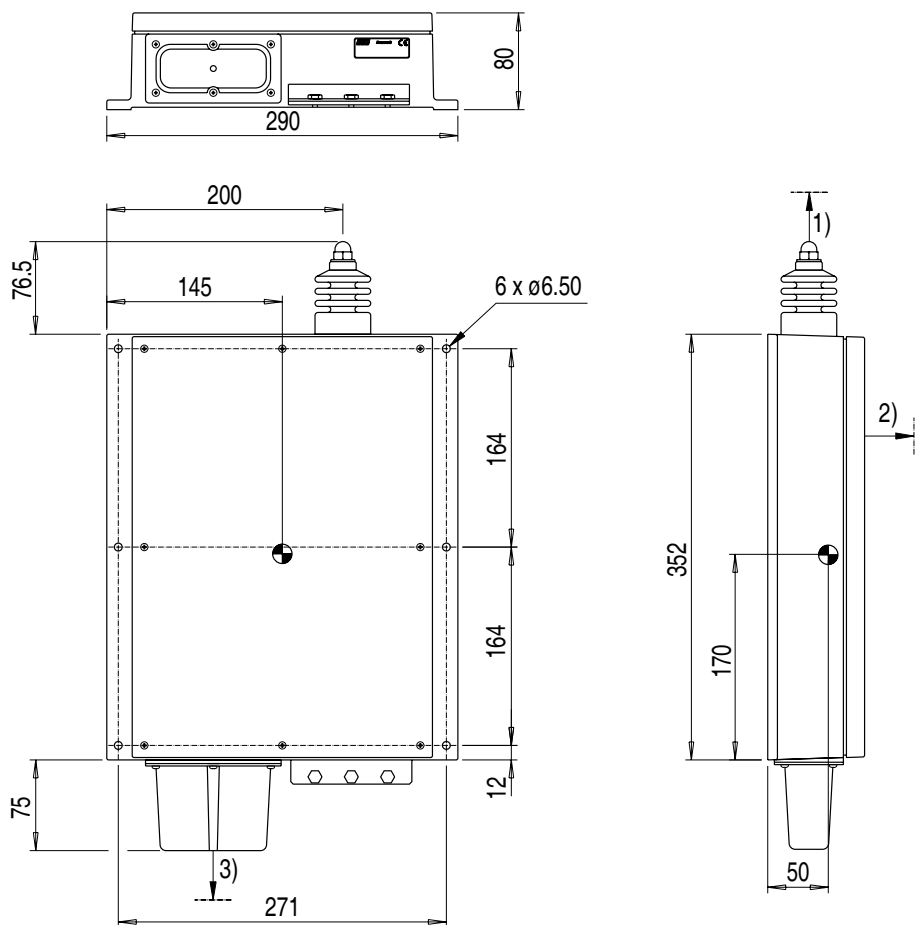
Thrane & Thrane is not responsible for the content or accuracy of any translations or reproductions, in whole or in part, of this installation guide from any other source.

How to install the Transceiver Unit 150/250W



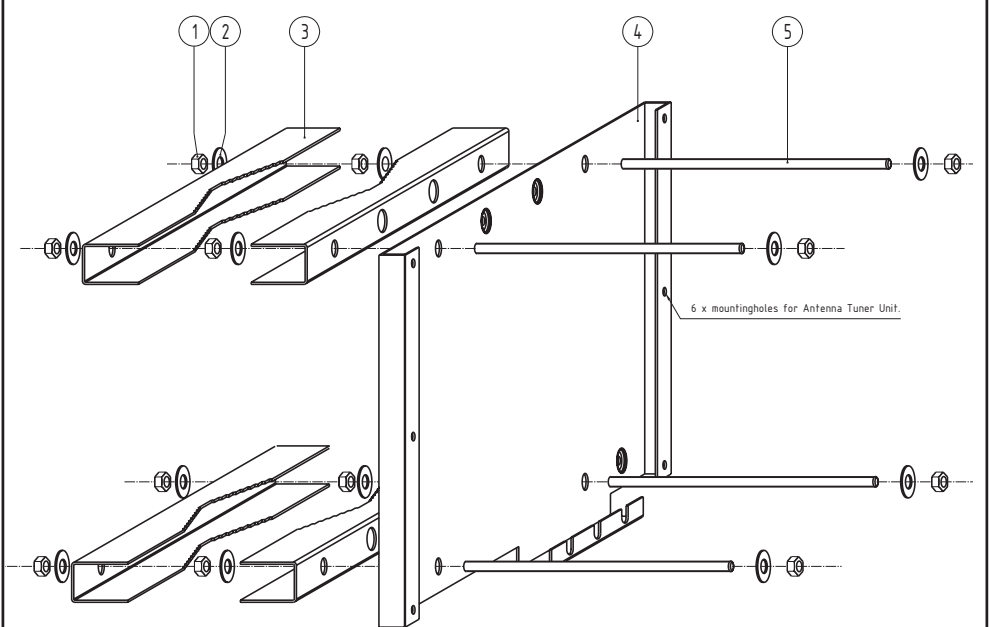
1. Space for cable: min. 150
 2. Space for airflow and service: min. 500
- Dimensions are in mm

How to install the Antenna Tuning Unit 150/250W



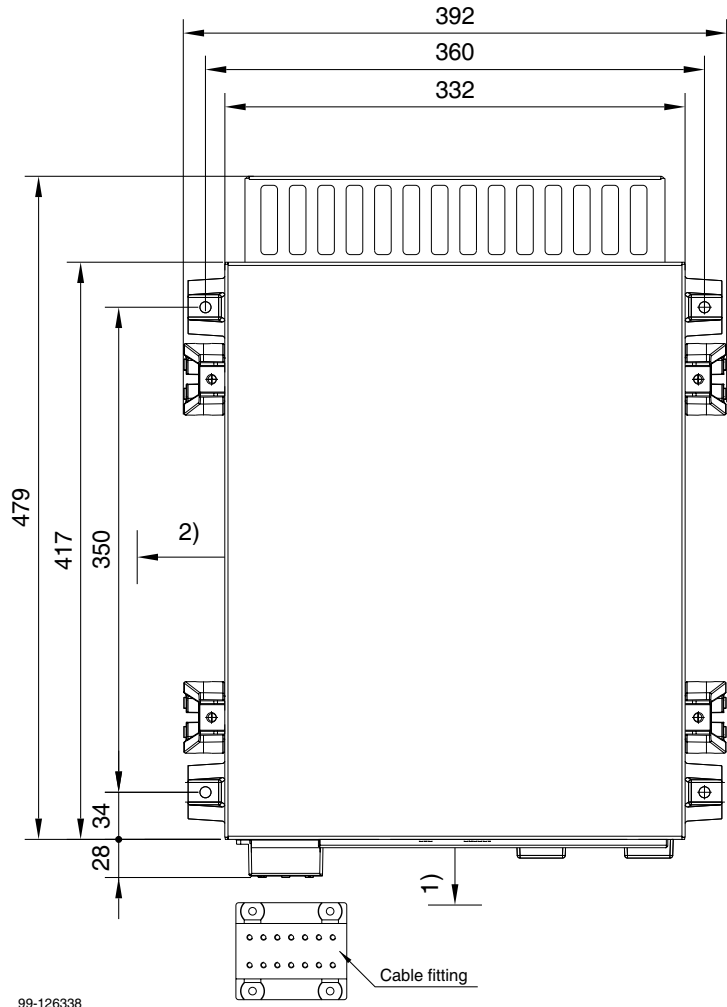
1. Space to nearest overhang: min. 50
 2. Space for service access: min. 500
 3. Space for cable and service access: min. 200
- Dimensions are in mm

How to install the Antenna Tuning Unit mounting bracket



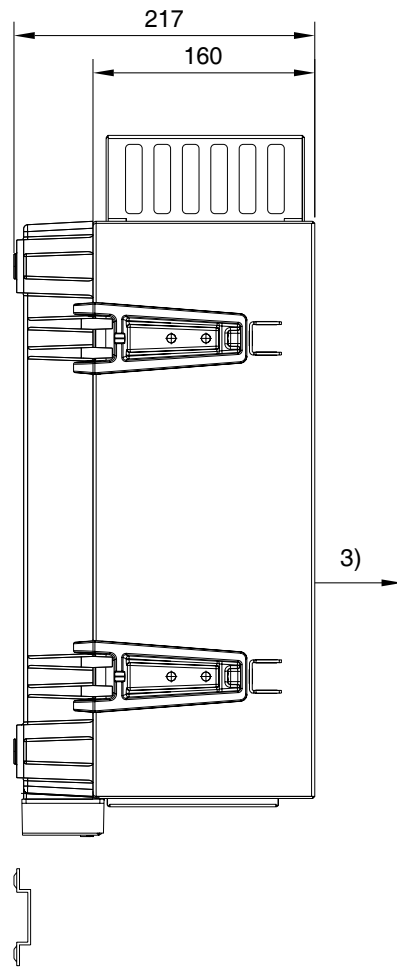
1. Nut M10
2. Tooth lock washer M10
3. Fitting for mast
4. Mountingplate for ATU
5. Treadrod M10

How to install the Transceiver Unit 500W

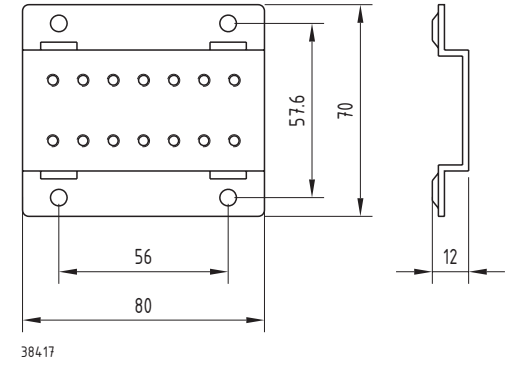


99-126338

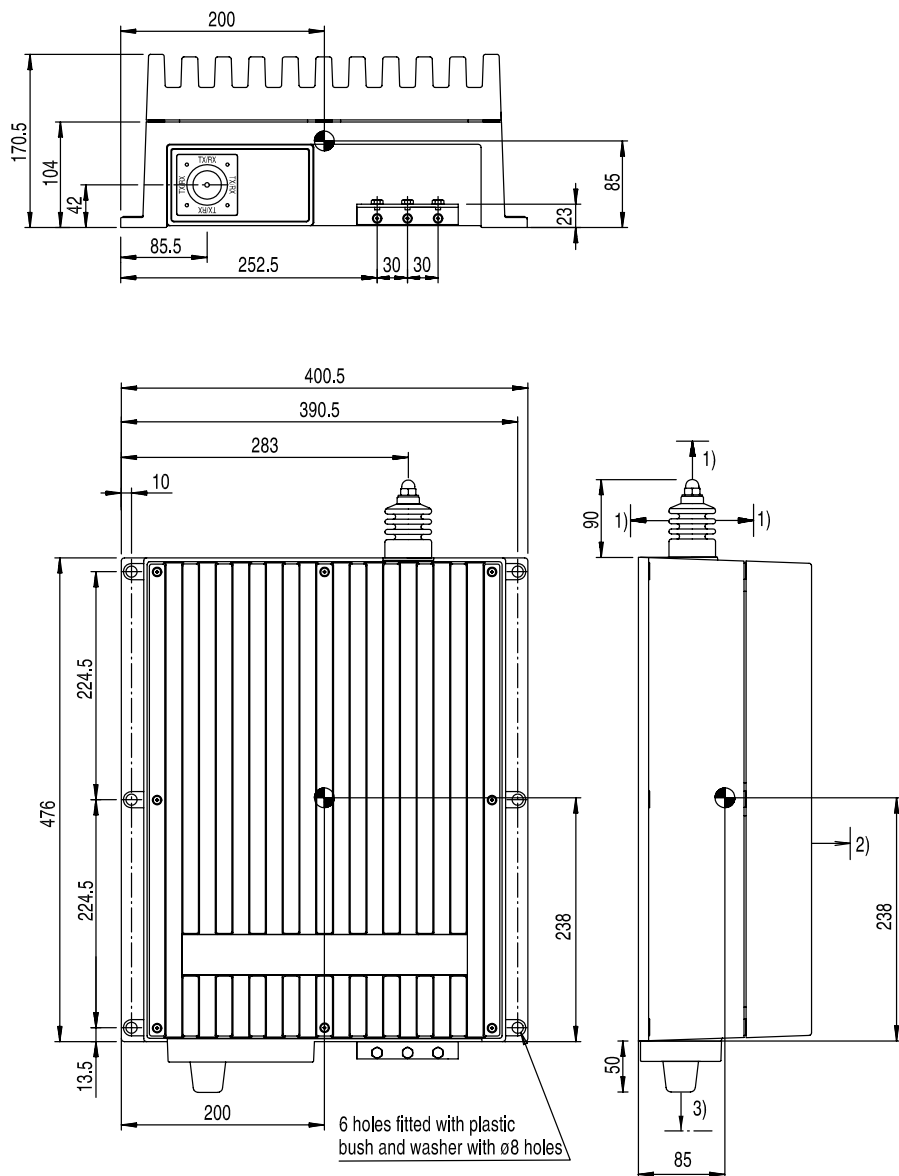
1. Space for cable and airflow: min. 150
 2. Space for service access: min. 200
 3. Space for service access: min. 1000
- Dimensions are in mm



Cable fitting

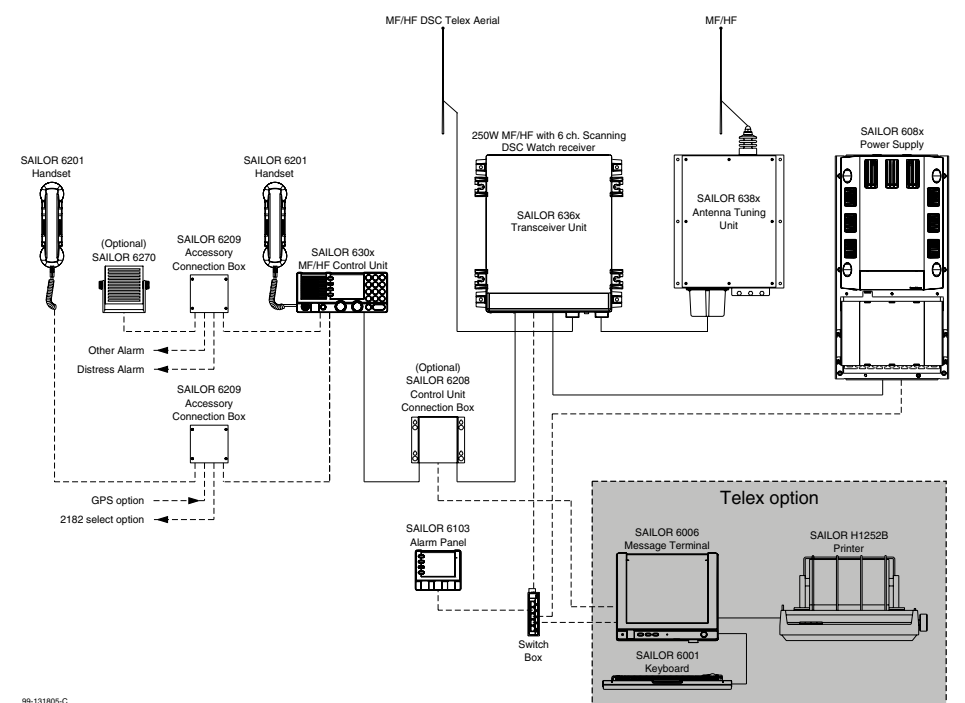


How to install the Antenna Tuning Unit 500W



1. Distance to metal constructions: min. 150
 2. Space for service access: min. 500
 3. Space for cable and service access: min. 200
- Dimensions are in mm

System configuration - Example



99-131805-C

98-133081-A