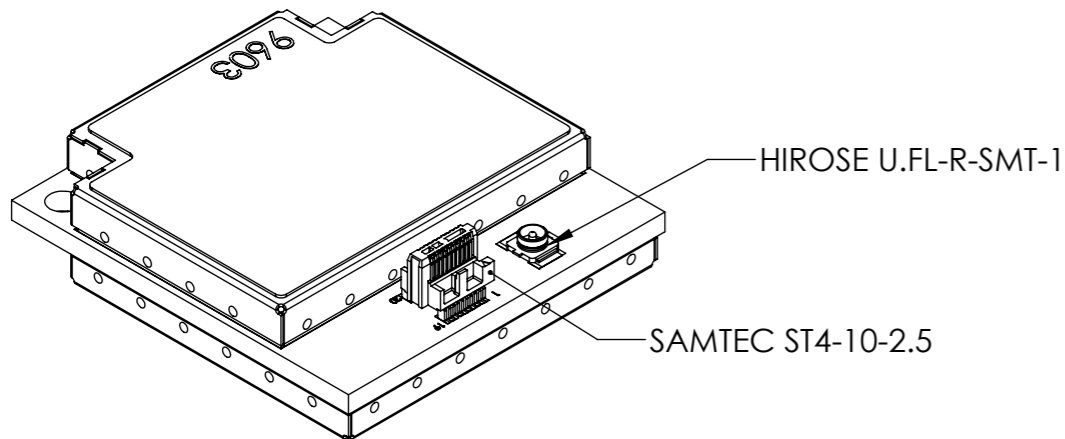
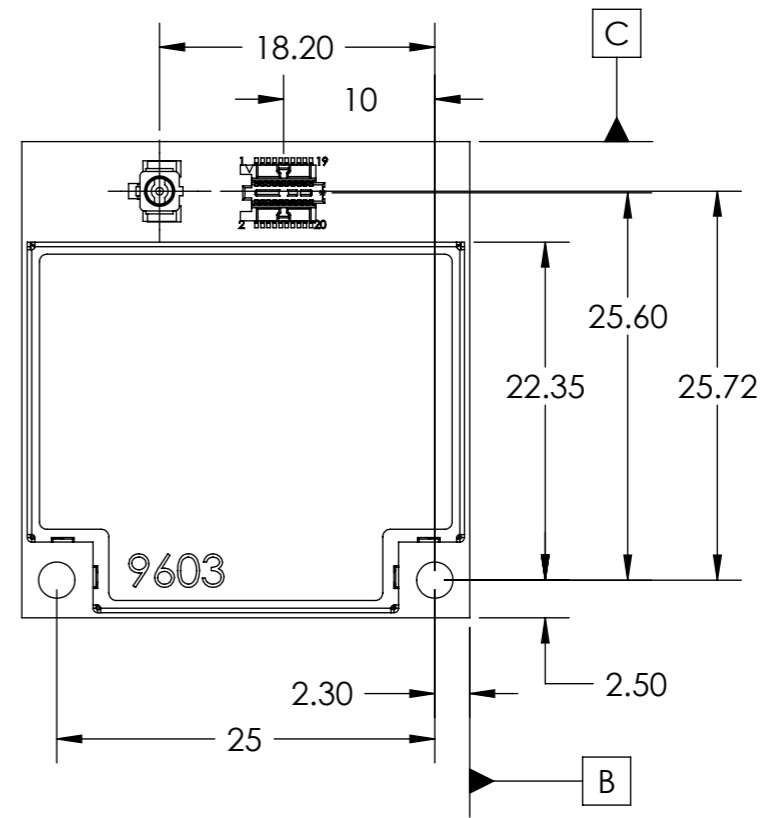
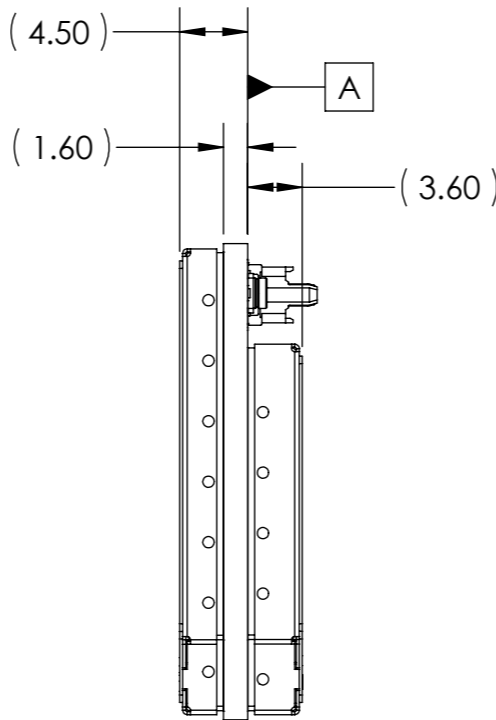
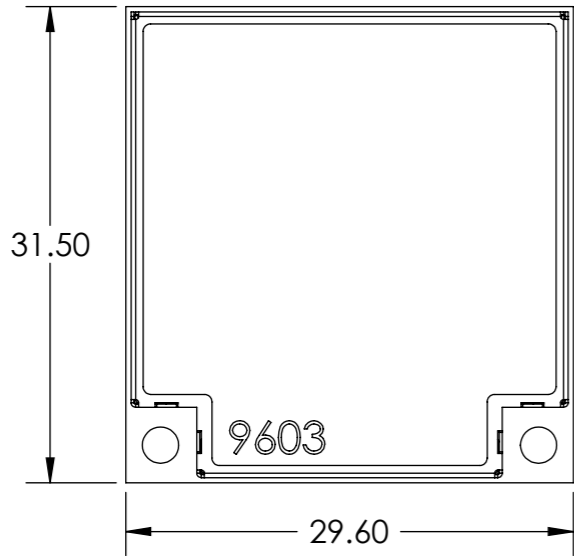
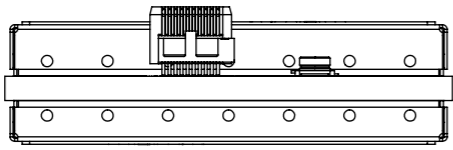


REVISIONS		
REV.	DESCRIPTION	DATE
A	INITIAL APPROVED RELEASE	3/29/2012

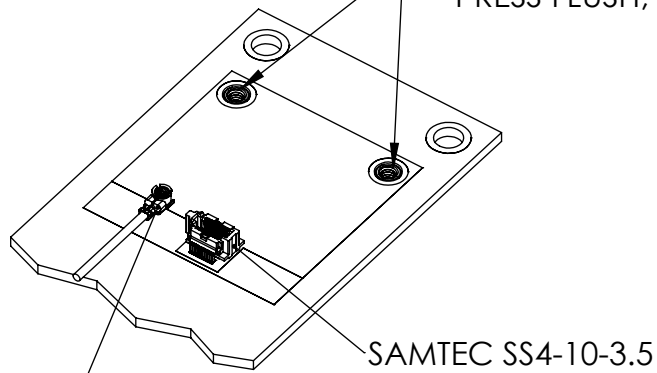
# 9603 MODULE DIMENSIONS



	<b>MATERIAL</b>	<b>DESCRIPTION</b>		
	-	9603 INTERFACE SPECIFICATION		
<b>THIRD ANGLE PROJECTION</b>	<b>TOLERANCES: UNLESS OTHERWISE SPECIFIED</b>	<b>DOCUMENT NUMBER</b>	<b>3D REFERENCE</b>	
	X. : ±1.0 X.X : ±0.3 X.XX : ±0.1 ANGULAR: ±0.5°	D-9603_IntSpec_A	A-BAS110_B	
<b>PROPRIETARY AND CONFIDENTIAL</b> <small>THIS DRAWING AND THE INFORMATION CONTAINED HEREIN IS THE PROPERTY OF IRIDIUM SATELLITE LLC AND/OR ITS AFFILIATES AND LICENSORS, UNLESS OTHERWISE STATED. NEITHER THIS DRAWING NOR ANY SUCH INFORMATION MAY BE COPIED, REPRODUCED, TRANSMITTED, DISTRIBUTED OR OTHERWISE USED EXCEPT AS EXPRESSLY APPROVED IN WRITING BY IRIDIUM SATELLITE LLC AND/OR ITS AFFILIATES. NO RIGHTS OR LICENSES OF ANY KIND TO SUCH DRAWING OR INFORMATION (INCLUDING ANY INTELLECTUAL PROPERTY RIGHTS THEREIN) ARE TRANSFERRED TO, GRANTED TO, PROVIDED TO OR RECEIVED BY THE RECIPIENT HEREOF AS A RESULT OF THE DELIVERY HEREOF. THIS MATERIAL MAY NOT IN WHOLE OR IN PART BE COPIED, STORED ELECTRONICALLY OR COMMUNICATED TO THIRD PARTIES WITHOUT THE PRIOR WRITTEN AGREEMENT OF IRIDIUM.</small>		<b>DRAWN BY</b>	<b>ISSUE DATE</b>	<b>UNITS</b>
		N.MAHER	3/29/2012	mm
		<b>REVIEWED BY</b>	<b>SCALE</b>	<b>SIZE</b>
		C.LAIDLAW	2:1	A3
		<b>GEOMETRIC TOLERANCING PER ASME Y14.5m-1994</b>	<b>REVISION</b>	<b>SHEET</b>
			A	1 of 3

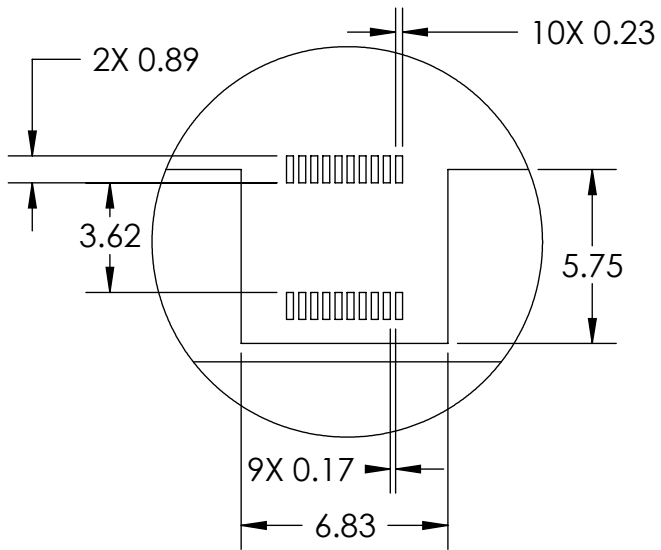
# MOUNTING BOARD DIMENSIONS

2X MCMMASTER 95117A411  
PRESS FLUSH, FAR SIDE.



ANY CONNECTOR DESIGNED  
TO FIT HIROSE U.FL-R-SMT\_1

SAMTEC SS4-10-3.5

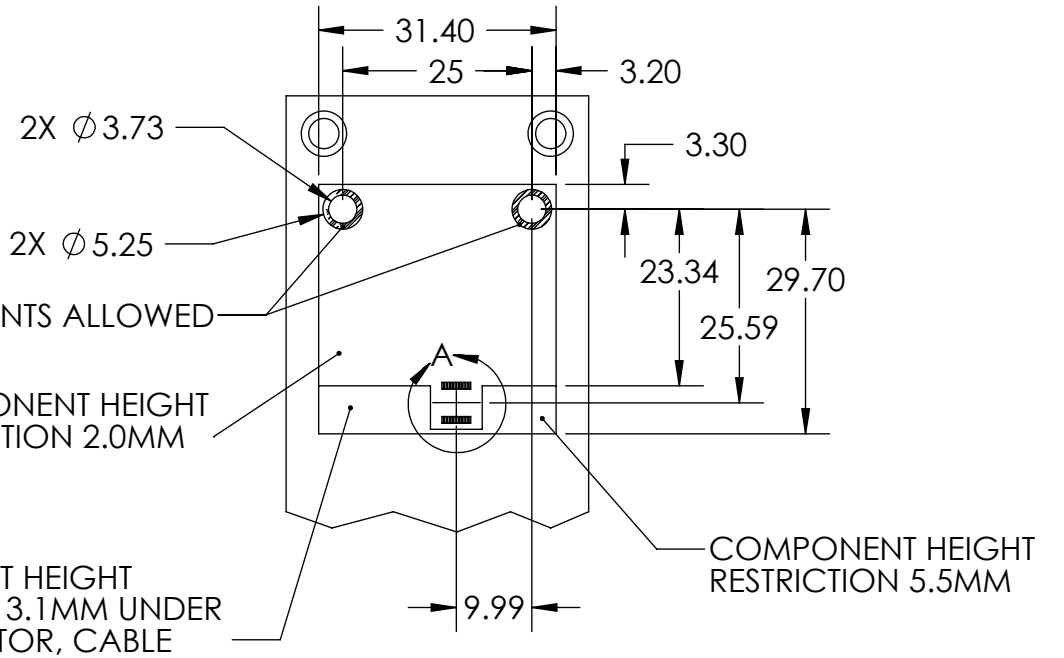


DETAIL A  
SCALE 4 : 1

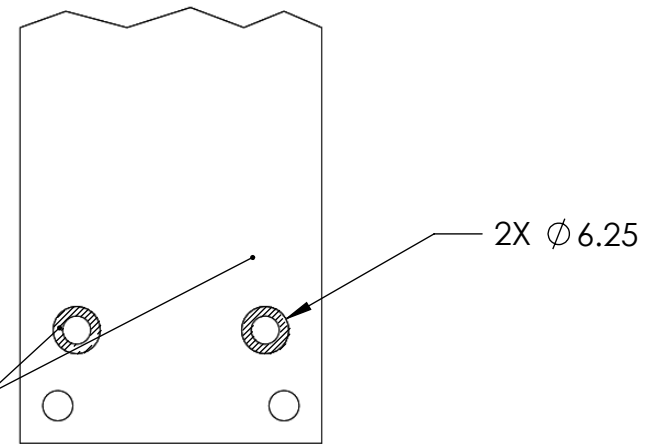
NO COMPONENTS ALLOWED

COMPONENT HEIGHT  
RESTRICTION 2.0MM

COMPONENT HEIGHT  
RESTRICTION 3.1MM UNDER  
RF CONNECTOR, CABLE

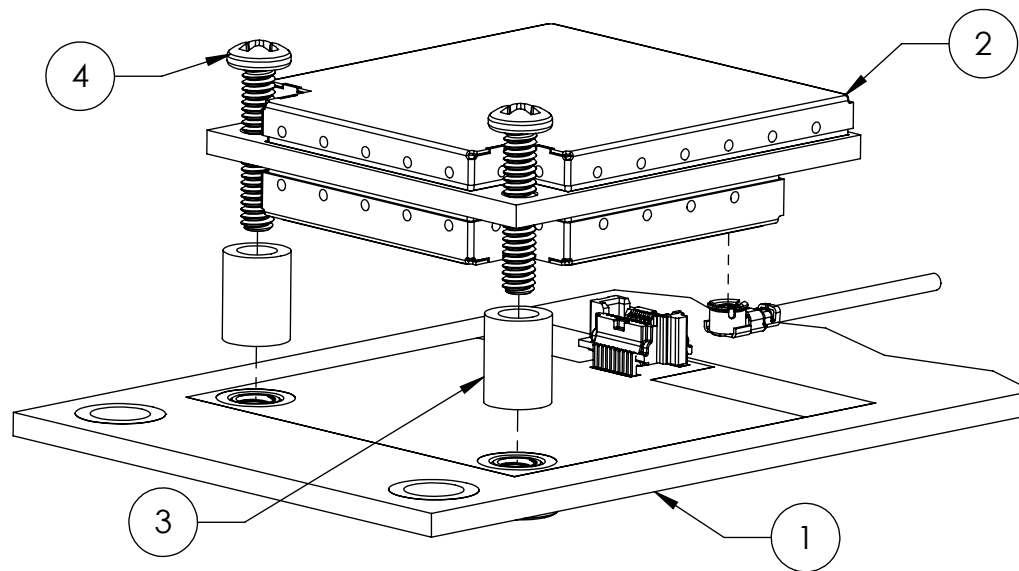
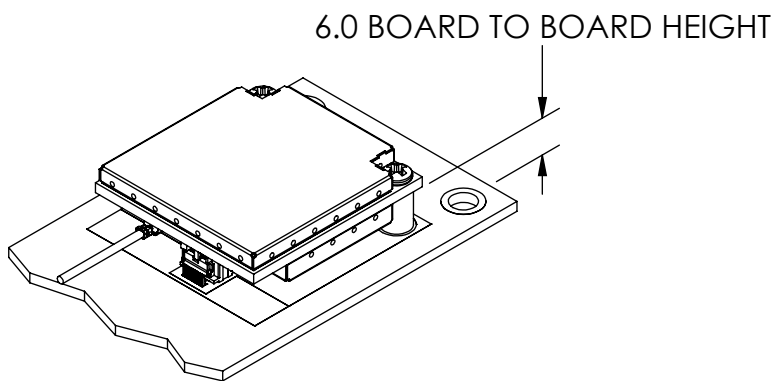


NO COMPONENTS ALLOWED

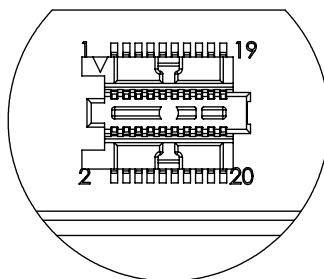
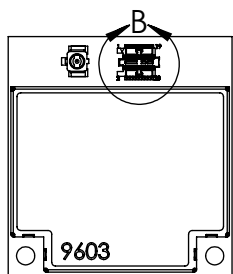


DOCUMENT NUMBER D-9603_IntSpec_A	ISSUE DATE 3/29/2012	UNITS mm
GEOMETRIC TOLERANCING PER ASME Y14.5m-1994	SCALE 1:1	SIZE A4
	REVISION A	SHEET 2 of 3

ITEM NO.	PART NUMBER	DESCRIPTION	VENDOR	QTY.
1	PCB112	9603 VIB TEST BOARD		1
2	BAS110	9603 FULL ASSEMBLY		1
3	94669A100	4.5X2.7X6 SPACER	MCMMASTER	2
4	90272A080	2-56 X 7/16" PAN HEAD	MCMMASTER	2



SCALE 3:1



DETAIL B  
SCALE 4 : 1  
PIN LOCATIONS

DOCUMENT NUMBER D-9603 IntSpec_A	ISSUE DATE 3/29/2012	UNITS mm
GEOMETRIC TOLERANCING PER ASME Y14.5m-1994	SCALE 1:1	SIZE <b>A4</b>
	REVISION A	SHEET 3 of 3